

Alcor PAR38 Spotlamp - 16W

High-Power Solid-State Lighting

Features



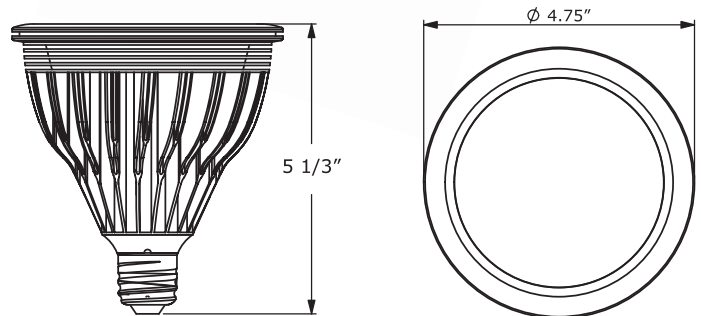
- ENERGY SAVING
- Retrofits 75 Watt halogen PAR38s
- 50,000 hours of continuous light output
- Fully dimmable (optional)
- Consumes a fraction of energy than halogen PARs
- Rated for indoor and outdoor applications
- Finely tuned optic lens provides solid elliptical beams
- Built-in LED Driver
- Mercury free, lead free, and RoHS compliant
- UL Listed for U.S. and Canada



Product Specifications

LED Type	High-Power 1W LEDs
LED Brand	Cree, Philips, or Seoul
Socket Type	E26 Medium Socket
Power Requirement	120 / 240 VAC (50 / 60 Hz)
Power Consumption	16 Watts
Number of LEDs	9
Hours	50,000 Hrs Maintenance-Free
Beam Angles	25°, 40°, 60°
Color Temperatures	3000K, 4300K, 6000K
Color Rendering Index	75
Rating	Indoor / Outdoor Applications
Housing	Optimized Heat Dissipating Aluminum, Machine-Cut & Satin-Anodized
Lumen Maintenance	70% of Original Light Output @ 50K Hrs
Operating Temp	-40°F (-40°C) to 104°F (40°C)
Warranty	3 Years
Certification	UL Listed (U.S. & Canada) RoHS Compliant

Dimensions



Applications

- PAR Retrofits
- Accent Lighting
- Recessed Cans
- Residential Interiors
- Commercial Interiors
- Trade Show Exhibits
- Perimeter Lighting
- Displays
- New Building Construction

Alcor PAR38 Spotlamp - 16W

High-Power Solid-State Lighting

Ordering Information



Alcor PAR38 LED Spotlamps - Non Dimmable

Cat. No.	Watts	# of LEDs	Beam Angle	Voltage	Socket Type	Color Temperature
ALP38016092W	16	9	25°	120/240 VAC	E26 Med	3000K Warm White
ALP38016094W	16	9	40°	120/240 VAC	E26 Med	3000K Warm White
ALP38016096W	16	9	60°	120/240 VAC	E26 Med	3000K Warm White
ALP38016092N	16	9	25°	120/240 VAC	E26 Med	4300K Neutral White
ALP38016094N	16	9	40°	120/240 VAC	E26 Med	4300K Neutral White
ALP38016096N	16	9	60°	120/240 VAC	E26 Med	4300K Neutral White
ALP38016092C	16	9	25°	120/240 VAC	E26 Med	6000K Cool White
ALP38016094C	16	9	40°	120/240 VAC	E26 Med	6000K Cool White
ALP38016096C	16	9	60°	120/240 VAC	E26 Med	6000K Cool White

Alcor PAR38 LED Spotlamps - Dimmable

Cat. No.	Watts	# of LEDs	Beam Angle	Voltage	Socket Type	Color Temperature
ALP38516092W	16	9	25°	120/240 VAC	E26 Med	3000K Warm White
ALP38516094W	16	9	40°	120/240 VAC	E26 Med	3000K Warm White
ALP38516096W	16	9	60°	120/240 VAC	E26 Med	3000K Warm White
ALP38516092N	16	9	25°	120/240 VAC	E26 Med	4300K Neutral White
ALP38516094N	16	9	40°	120/240 VAC	E26 Med	4300K Neutral White
ALP38516096N	16	9	60°	120/240 VAC	E26 Med	4300K Neutral White
ALP38516092C	16	9	25°	120/240 VAC	E26 Med	6000K Cool White
ALP38516094C	16	9	40°	120/240 VAC	E26 Med	6000K Cool White
ALP38516096C	16	9	60°	120/240 VAC	E26 Med	6000K Cool White

NOTE:

All specifications and technical information are subject to change without notice. We reserve the right to alter, change or withdraw any of our products without notice.

Manufacturer's Canadian Representative:

S2 Innovative Products Group Ltd.

info@s2iPG.com

(778) 478-9974

