



OUR PRODUCTS ARE DEDICATED
TO THE CONSERVATION OF
ENERGY

CLe Series LED Canopy Light

The low profile design of the CLe Series LED canopy light is ideally suited for security, entry ways, stairwells, and perimeter soffit lighting applications. The durable and robust design allows for universal surface or pendant mounting. Delivering between 1,694 and 3,032 lumens while only consuming between 31 and 57 watts, its the ideal low power utility light.

Product Features:

- UV stabilized one piece polycarbonate lens
- Universal voltage (120vac to 277vac)
- Powder Coated Aluminum housing
- Robust design for superb durability.
- UL1598
- 3 year warranty



Model	System Power (Watts)	Initial Delivered Lumens	Lumens Per Watt	L70 (hrs) at 25c
CLe Series LED drive current 700ma - Canopy Light				
CLeX12	31	1694	55	70000
CLeX24	57	3032	54	60000

X - "W" white housing (standard), "S" silver housing
"BR" bronze housing, "BLK" black housing

All models feature LEDs at 4500 K - 5000 K, CRI 75

CLe Series Specifications

Electrical:

Class 2 power supplies provide varying input voltage range of 120vac to 277vac. All power supplies provide Class A EMI rating with high power factor of 90% typical.

Mounting:

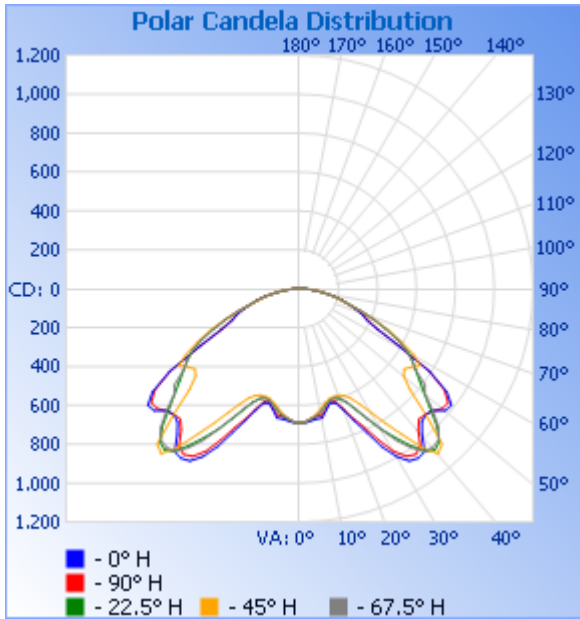
Flush mount or Pendant mount standard.

Environmental Impact:

- ROHS Compliant
- No Mercury
- 100% Recyclable
- Reduction in Kw load by as much as 60%

CL Series Photometric:

Tested to IESNA LM-79-08 standard by an independent testing laboratory.



CLeX24 data shown

Infinilux maintains a tolerance of +/- 7% on flux and power measurements
 Published output measurements using 4500 K
 Typical CRI for Neutral White (4500 K - 5000 K) is 75
 The information in this document is subject to change without notice.

Exterior Surface Finish:

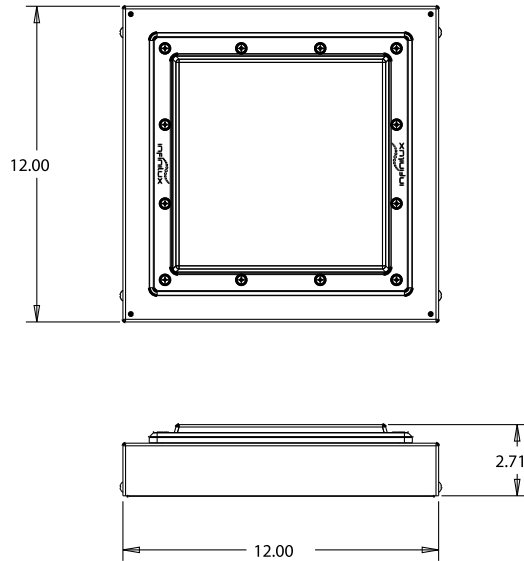
All Infinilux exterior fixtures are finished with our exclusive InfiniGuard™ primer and polyester based powder coat. The finish is covered by our 10 year limited warranty.

Testing and Compliance:

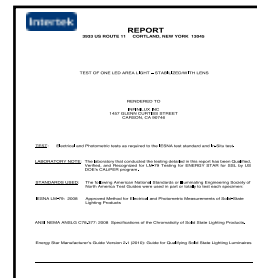
The CL series LED canopy light is ETL certified under UL1598 specifications.

Lumen Maintenance:

Estimated long term reliability for light source which consists of the LED and PCB sub-assembly as installed in the fixture. Determined by using LM80, in situ thermal data in accordance with DOE/EPA standards and reliability data supplied by LED manufacturer.



Dimensions shown in inches



Tested to LM-79 Standard